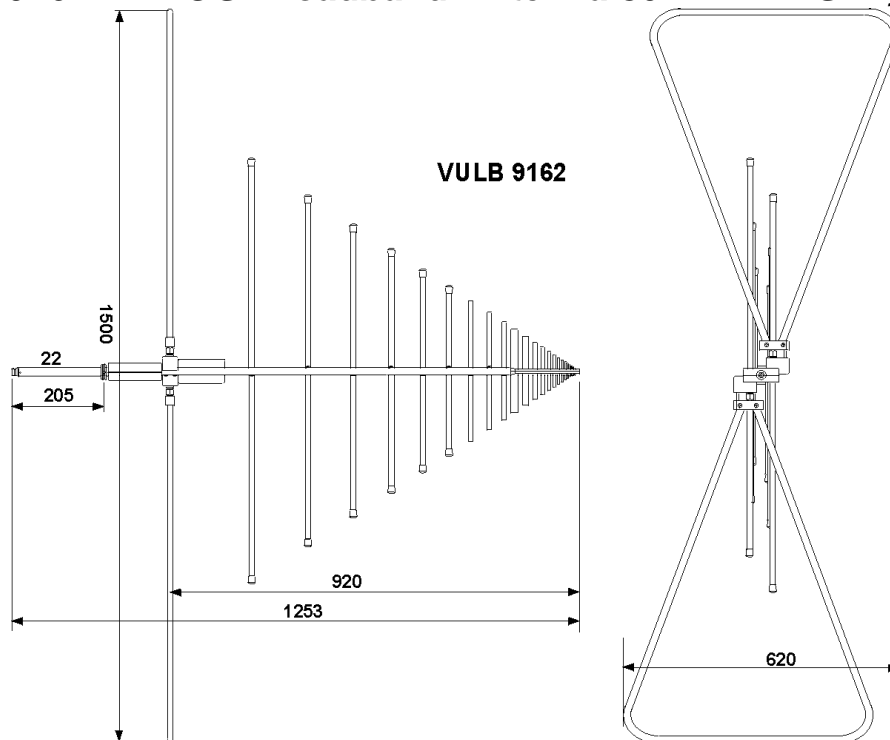


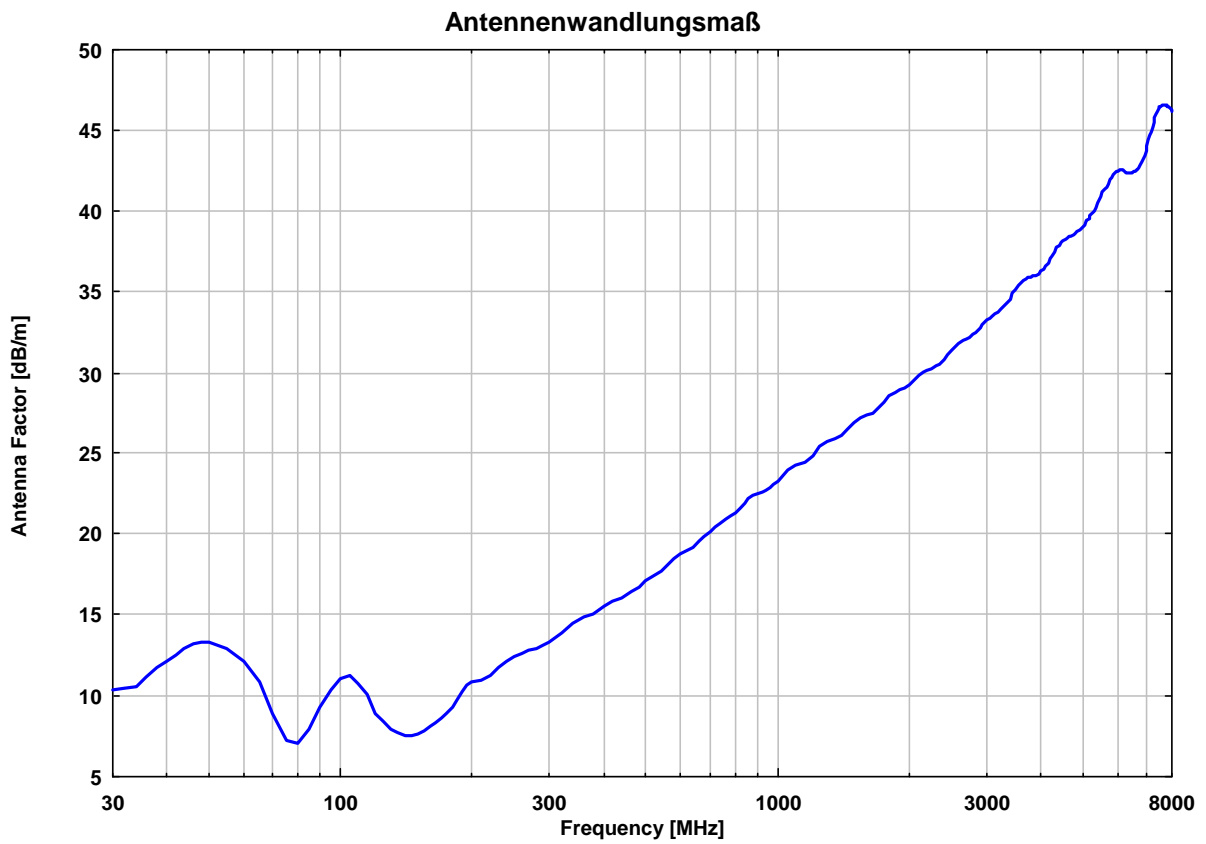
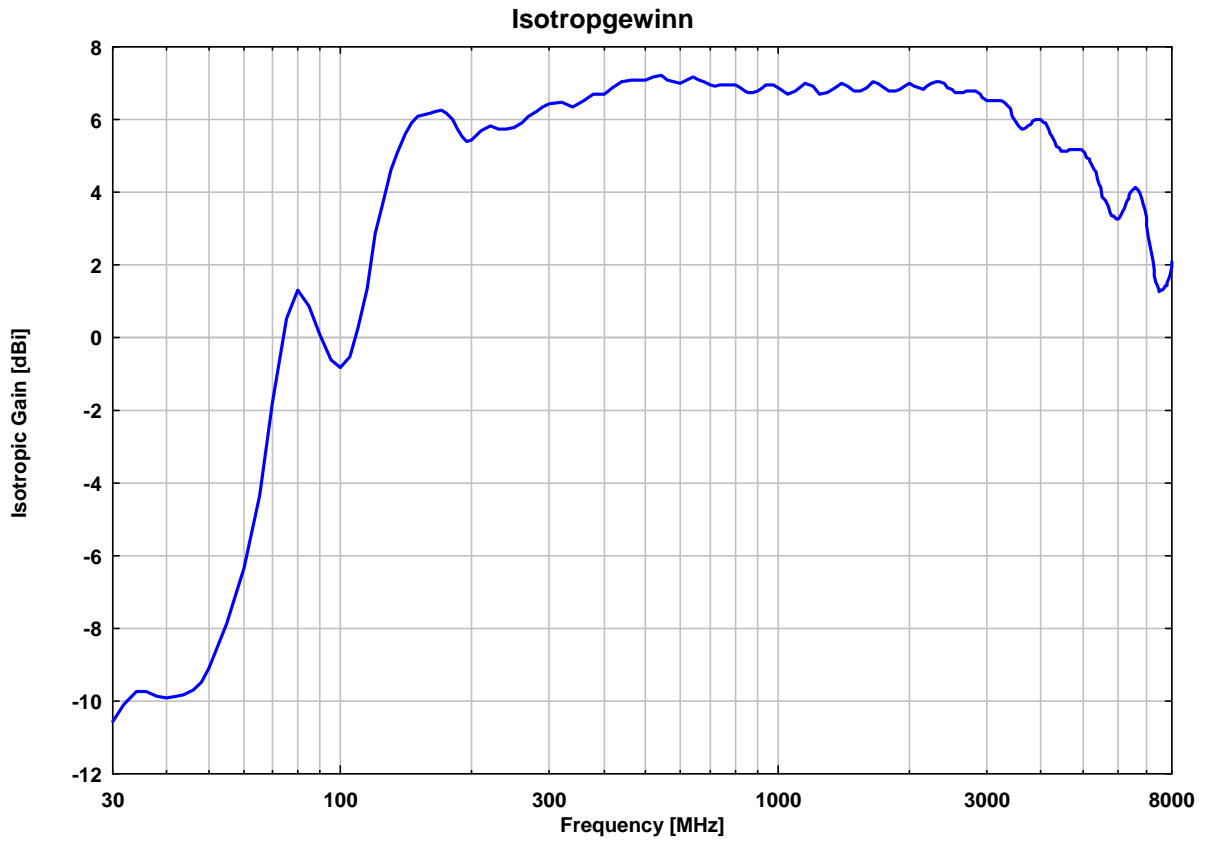
VULB 9162 Breitband TRILOG Antenne 30 MHz - 7 GHz, 100 W
VULB 9162 TRILOG Broadband Antenna 30 MHz - 7 GHz, 100 W

Bauart:

Linear polarisierte Logarithmisch Periodische Breitbandantenne mit 4:1 Breitbanddipol in Aluminium-ausführung für Empfangs- und Sendeanwendungen

Type:

Linear polarized Logarithmic Periodic Broadband Antenna combined with a 4:1 Broadband Dipole (Aluminium tubing) for Receive and Transmit Applications

Technische Daten:		Specifications:
Frequenzbereich, nominell:	30 MHz...7 GHz	<i>Nominal Frequency Range:</i>
Nutzbarer Frequenzbereich:	25 MHz ... 8 GHz	<i>Usable Frequency Range:</i>
Isotropgewinn im LP-Bereich:	6.4+/- 1.2 dBi	<i>Isotropic Gain (LP-Section):</i>
Antennenfaktor:	7 ... 43 dB/m	<i>Antenna Factor:</i>
Impedanz, nominell:	50 Ω	<i>Nominal Impedance:</i>
Stehwellenverhältnis SWR typisch:	<1.5 (f > 150 MHz)	<i>Standing Wave Ratio SWR typical:</i>
Vor- Rückverhältnis:	20 dB (f > 150 MHz)	<i>Front to Back Ratio:</i>
Polarisationsentkopplung:	>20 dB (30 MHz...1 GHz)	<i>Cross Polarisation:</i>
3 dB Öffnungswinkel typ.(E-Ebene):	45°-65° (f > 150 MHz)	<i>3 dB Beamwidth typ. (E-Plane):</i>
3 dB Öffnungswinkel typ.(E-Ebene):	≈78° (f < 150 MHz)	<i>3 dB Beamwidth typ. (E-Plane):</i>
3 dB Öffnungswinkel typ.(H-Ebene):	90°-120° (f > 150 MHz)	<i>3 dB Beamwidth typ. (H-Plane):</i>
Max. Eingangsleistung:	200 W (intermitt.) 100 W (cont.)	<i>Max. Input Power:</i>
Anschlußart: N-Buchse		<i>N-Connector female</i>
Halterung: 22 mm Rohr, Rastring		<i>Mount: 22 mm Tube, Indexing Ring</i>
Breite x Länge x Dicke:	1500 x 920 (1253) x 620 mm	<i>Width x Length x Thickness:</i>
Gewicht:	3.1 kg	<i>Weight:</i>



Frequency	Distance	Wavelength	Attenuation	Gain (Isotr.)	Gain (Dipole)	Ant.-Factor
MHz	m	m	dB	dBi	dBd	dB/m
30.00	5.20	10.00	37.41	-10.56	-12.71	10.32
32.00	5.20	9.38	37.07	-10.10	-12.25	10.43
34.00	5.20	8.82	36.87	-9.74	-11.89	10.59
36.00	5.20	8.33	37.40	-9.76	-11.91	11.10
38.00	5.20	7.89	38.16	-9.90	-12.05	11.72
40.00	5.20	7.50	38.63	-9.91	-12.06	12.17
42.00	5.20	7.14	38.94	-9.86	-12.01	12.54
44.00	5.20	6.82	39.30	-9.84	-11.99	12.93
46.00	5.20	6.52	39.42	-9.70	-11.85	13.18
48.00	5.20	6.25	39.34	-9.48	-11.63	13.32
50.00	5.20	6.00	38.95	-9.10	-11.25	13.30
55.00	5.20	5.45	37.31	-7.87	-10.02	12.90
60.00	5.20	5.00	35.02	-6.35	-8.50	12.13
65.00	5.20	4.62	31.77	-4.37	-6.52	10.85
70.00	5.20	4.29	27.25	-1.79	-3.94	8.91
75.00	5.20	4.00	23.21	0.52	-1.63	7.20
80.00	5.20	3.75	22.23	1.30	-0.85	6.98
85.00	5.20	3.53	23.62	0.86	-1.29	7.94
90.00	5.20	3.33	25.69	0.08	-2.07	9.23
95.00	5.20	3.16	27.53	-0.61	-2.76	10.38
100.00	5.20	3.00	28.40	-0.82	-2.97	11.04
105.00	5.20	2.86	28.26	-0.54	-2.69	11.18
110.00	5.20	2.73	27.07	0.26	-1.89	10.79
115.00	5.20	2.61	25.23	1.37	-0.78	10.06
120.00	5.20	2.50	22.59	2.88	0.73	8.93
125.00	5.13	2.40	21.06	3.76	1.61	8.40
130.00	5.06	2.31	19.60	4.60	2.45	7.90
135.00	5.00	2.22	18.80	5.11	2.96	7.71
140.00	4.94	2.14	18.00	5.62	3.47	7.52
145.00	4.88	2.07	17.63	5.91	3.76	7.54
150.00	4.83	2.00	17.46	6.09	3.94	7.65
155.00	4.78	1.94	17.52	6.16	4.01	7.86
160.00	4.74	1.88	17.66	6.19	4.04	8.11
165.00	4.70	1.82	17.74	6.24	4.09	8.33
170.00	4.66	1.76	17.88	6.27	4.12	8.56
175.00	4.62	1.71	18.24	6.18	4.03	8.90
180.00	4.59	1.67	18.74	6.02	3.87	9.31
185.00	4.55	1.62	19.44	5.75	3.60	9.81
190.00	4.52	1.58	20.08	5.52	3.37	10.27
195.00	4.49	1.54	20.52	5.38	3.23	10.64
200.00	4.46	1.50	20.61	5.42	3.27	10.82
210.00	4.41	1.43	20.40	5.69	3.54	10.98
220.00	4.36	1.36	20.41	5.84	3.69	11.23
230.00	4.32	1.30	20.89	5.75	3.60	11.70
240.00	4.28	1.25	21.19	5.74	3.59	12.08
250.00	4.24	1.20	21.35	5.80	3.65	12.38
260.00	4.21	1.15	21.36	5.93	3.78	12.59
270.00	4.18	1.11	21.36	6.07	3.91	12.78
280.00	4.15	1.07	21.28	6.23	4.08	12.93
290.00	4.12	1.03	21.25	6.37	4.22	13.10
300.00	4.10	1.00	21.36	6.44	4.29	13.33
320.00	4.05	0.94	21.75	6.47	4.32	13.85
340.00	4.01	0.88	22.39	6.37	4.22	14.48

Frequency	Distance	Wavelength	Attenuation	Gain (Isotr.)	Gain (Dipole)	Ant.-Factor
MHz	m	m	dB	dBi	dBd	dB/m
360.00	3.97	0.83	22.46	6.54	4.39	14.80
380.00	3.94	0.79	22.51	6.72	4.57	15.10
400.00	3.91	0.75	22.88	6.72	4.57	15.54
420.00	3.89	0.71	22.96	6.87	4.71	15.82
440.00	3.86	0.68	22.97	7.04	4.89	16.05
460.00	3.84	0.65	23.19	7.10	4.94	16.38
480.00	3.82	0.63	23.54	7.08	4.93	16.76
500.00	3.80	0.60	23.77	7.12	4.97	17.08
520.00	3.78	0.58	23.95	7.18	5.03	17.36
540.00	3.77	0.56	24.18	7.22	5.07	17.65
560.00	3.75	0.54	24.70	7.10	4.95	18.09
580.00	3.74	0.52	25.11	7.03	4.88	18.46
600.00	3.73	0.50	25.38	7.02	4.87	18.76
620.00	3.72	0.48	25.52	7.09	4.94	18.98
640.00	3.70	0.47	25.60	7.17	5.02	19.17
660.00	3.69	0.45	25.96	7.11	4.96	19.50
680.00	3.68	0.44	26.36	7.03	4.88	19.84
700.00	3.67	0.43	26.74	6.95	4.80	20.17
720.00	3.67	0.42	27.02	6.93	4.78	20.44
740.00	3.66	0.41	27.19	6.95	4.80	20.65
760.00	3.65	0.39	27.41	6.95	4.80	20.89
780.00	3.64	0.38	27.61	6.95	4.80	21.11
800.00	3.64	0.38	27.77	6.97	4.82	21.31
820.00	3.63	0.37	28.20	6.86	4.71	21.64
840.00	3.62	0.36	28.50	6.80	4.65	21.90
860.00	3.62	0.35	28.82	6.74	4.59	22.17
880.00	3.61	0.34	28.99	6.75	4.59	22.36
900.00	3.60	0.33	29.06	6.80	4.65	22.51
920.00	3.60	0.33	29.06	6.89	4.74	22.60
940.00	3.59	0.32	29.11	6.95	4.80	22.73
960.00	3.59	0.31	29.24	6.97	4.82	22.89
980.00	3.58	0.31	29.40	6.98	4.83	23.07
1000.00	3.58	0.30	29.74	6.89	4.74	23.33
1050.00	3.57	0.29	30.51	6.70	4.55	23.94
1100.00	3.56	0.27	30.71	6.80	4.65	24.25
1150.00	3.55	0.26	30.67	7.00	4.85	24.44
1200.00	3.54	0.25	31.16	6.93	4.78	24.88
1250.00	3.54	0.24	31.93	6.71	4.56	25.45
1300.00	3.53	0.23	32.21	6.73	4.58	25.77
1350.00	3.52	0.22	32.25	6.87	4.72	25.96
1400.00	3.52	0.21	32.26	7.02	4.86	26.13
1450.00	3.51	0.21	32.75	6.92	4.76	26.53
1500.00	3.51	0.20	33.25	6.81	4.66	26.94
1550.00	3.50	0.19	33.52	6.81	4.66	27.22
1600.00	3.50	0.19	33.59	6.90	4.75	27.40
1650.00	3.49	0.18	33.60	7.03	4.87	27.54
1700.00	3.49	0.18	33.88	7.01	4.86	27.82
1750.00	3.49	0.17	34.36	6.89	4.74	28.19
1800.00	3.48	0.17	34.78	6.80	4.65	28.53
1850.00	3.48	0.16	35.02	6.80	4.65	28.77
1900.00	3.48	0.16	35.14	6.85	4.70	28.95
1950.00	3.47	0.15	35.19	6.93	4.78	29.09
2000.00	3.47	0.15	35.26	7.00	4.85	29.24

Frequency	Distance	Wavelength	Attenuation	Gain (Isotr.)	Gain (Dipole)	Ant.-Factor
MHz	m	m	dB	dBi	dBd	dB/m
2050.00	3.47	0.15	35.61	6.93	4.78	29.52
2100.00	3.46	0.14	35.95	6.87	4.71	29.80
2150.00	3.46	0.14	36.18	6.85	4.70	30.02
2200.00	3.46	0.14	36.23	6.92	4.77	30.15
2250.00	3.46	0.13	36.27	6.99	4.84	30.27
2300.00	3.46	0.13	36.33	7.06	4.91	30.39
2350.00	3.45	0.13	36.49	7.07	4.92	30.57
2400.00	3.45	0.13	36.77	7.02	4.87	30.81
2450.00	3.45	0.12	37.21	6.89	4.74	31.12
2500.00	3.45	0.12	37.50	6.82	4.67	31.36
2550.00	3.45	0.12	37.84	6.74	4.59	31.61
2600.00	3.44	0.12	38.03	6.73	4.57	31.79
2650.00	3.44	0.11	38.16	6.74	4.59	31.94
2700.00	3.44	0.11	38.24	6.78	4.63	32.07
2750.00	3.44	0.11	38.38	6.79	4.64	32.22
2800.00	3.44	0.11	38.54	6.78	4.63	32.38
2850.00	3.44	0.11	38.70	6.78	4.63	32.54
2900.00	3.44	0.10	39.05	6.68	4.53	32.79
2950.00	3.43	0.10	39.30	6.63	4.47	32.99
3000.00	3.43	0.10	39.64	6.53	4.38	33.24
3050.00	3.43	0.10	39.77	6.53	4.38	33.37
3100.00	3.43	0.10	39.89	6.54	4.39	33.50
3150.00	3.43	0.10	40.04	6.54	4.38	33.65
3200.00	3.43	0.09	40.19	6.53	4.37	33.80
3250.00	3.43	0.09	40.36	6.51	4.36	33.95
3300.00	3.43	0.09	40.57	6.47	4.32	34.12
3350.00	3.43	0.09	40.83	6.41	4.25	34.32
3400.00	3.42	0.09	41.16	6.30	4.15	34.55
3450.00	3.42	0.09	41.74	6.07	3.92	34.90
3500.00	3.42	0.09	42.11	5.95	3.80	35.15
3550.00	3.42	0.08	42.49	5.82	3.67	35.40
3600.00	3.42	0.08	42.74	5.76	3.61	35.59
3650.00	3.42	0.08	42.85	5.76	3.61	35.71
3700.00	3.42	0.08	42.91	5.79	3.64	35.80
3750.00	3.42	0.08	42.93	5.83	3.68	35.87
3800.00	3.42	0.08	42.94	5.88	3.73	35.93
3850.00	3.42	0.08	42.91	5.95	3.80	35.98
3900.00	3.42	0.08	42.91	6.01	3.86	36.03
3950.00	3.42	0.08	43.00	6.02	3.87	36.13
4000.00	3.41	0.08	43.15	6.00	3.85	36.26
4050.00	3.41	0.07	43.39	5.93	3.78	36.43
4100.00	3.41	0.07	43.55	5.90	3.75	36.57
4150.00	3.41	0.07	43.93	5.76	3.61	36.82
4200.00	3.41	0.07	44.34	5.62	3.46	37.07
4250.00	3.41	0.07	44.53	5.57	3.42	37.22
4300.00	3.41	0.07	44.95	5.41	3.26	37.48
4350.00	3.41	0.07	45.33	5.27	3.12	37.72
4400.00	3.41	0.07	45.50	5.23	3.08	37.85
4450.00	3.41	0.07	45.75	5.15	3.00	38.03
4500.00	3.41	0.07	45.91	5.12	2.97	38.16
4550.00	3.41	0.07	45.96	5.14	2.99	38.24
4600.00	3.41	0.07	46.05	5.15	2.99	38.33
4650.00	3.41	0.06	46.12	5.16	3.01	38.41

Frequency	Distance	Wavelength	Attenuation	Gain (Isotr.)	Gain (Dipole)	Ant.-Factor
MHz	m	m	dB	dBi	dBd	dB/m
4700.00	3.41	0.06	46.22	5.16	3.01	38.51
4750.00	3.41	0.06	46.26	5.18	3.03	38.57
4800.00	3.41	0.06	46.36	5.18	3.03	38.67
4850.00	3.40	0.06	46.40	5.20	3.05	38.74
4900.00	3.40	0.06	46.54	5.17	3.02	38.85
4950.00	3.40	0.06	46.61	5.18	3.03	38.93
5000.00	3.40	0.06	46.81	5.13	2.98	39.07
5050.00	3.40	0.06	46.94	5.10	2.95	39.18
5100.00	3.40	0.06	47.28	4.97	2.82	39.40
5150.00	3.40	0.06	47.47	4.92	2.77	39.53
5200.00	3.40	0.06	47.67	4.86	2.71	39.68
5250.00	3.40	0.06	48.06	4.71	2.56	39.92
5300.00	3.40	0.06	48.29	4.63	2.48	40.07
5350.00	3.40	0.06	48.49	4.57	2.42	40.21
5400.00	3.40	0.06	49.02	4.35	2.20	40.52
5450.00	3.40	0.06	49.31	4.24	2.09	40.70
5500.00	3.40	0.05	49.58	4.15	2.00	40.88
5550.00	3.40	0.05	50.17	3.89	1.74	41.22
5600.00	3.40	0.05	50.44	3.80	1.65	41.39
5650.00	3.40	0.05	50.69	3.71	1.56	41.55
5700.00	3.40	0.05	50.93	3.63	1.48	41.71
5750.00	3.40	0.05	51.39	3.43	1.28	41.98
5800.00	3.40	0.05	51.60	3.37	1.22	42.12
5850.00	3.40	0.05	51.76	3.33	1.17	42.24
5900.00	3.40	0.05	51.89	3.30	1.15	42.34
5950.00	3.40	0.05	52.05	3.25	1.10	42.46
6000.00	3.40	0.05	52.10	3.26	1.11	42.52
6050.00	3.40	0.05	52.05	3.32	1.17	42.53
6100.00	3.40	0.05	52.02	3.38	1.22	42.55
6150.00	3.40	0.05	51.90	3.47	1.32	42.53
6200.00	3.39	0.05	51.79	3.56	1.41	42.51
6250.00	3.39	0.05	51.57	3.70	1.55	42.43
6300.00	3.39	0.05	51.49	3.78	1.63	42.43
6350.00	3.39	0.05	51.43	3.84	1.69	42.43
6400.00	3.39	0.05	51.34	3.92	1.77	42.43
6450.00	3.39	0.05	51.22	4.01	1.86	42.40
6500.00	3.39	0.05	51.21	4.05	1.90	42.43
6550.00	3.39	0.05	51.21	4.08	1.93	42.46
6600.00	3.39	0.05	51.21	4.12	1.97	42.49
6650.00	3.39	0.05	51.34	4.08	1.93	42.59
6700.00	3.39	0.04	51.48	4.05	1.90	42.69
6750.00	3.39	0.04	51.73	3.95	1.80	42.85
6800.00	3.39	0.04	52.02	3.84	1.69	43.03
6850.00	3.39	0.04	52.39	3.68	1.53	43.25
6900.00	3.39	0.04	52.83	3.50	1.35	43.50
6950.00	3.39	0.04	53.29	3.30	1.15	43.76
7000.00	3.39	0.04	53.80	3.07	0.92	44.05
7050.00	3.39	0.04	54.42	2.80	0.65	44.39
7100.00	3.39	0.04	54.96	2.56	0.41	44.69
7150.00	3.39	0.04	55.41	2.36	0.21	44.95

Frequency	Distance	Wavelength	Attenuation	Gain (Isotr.)	Gain (Dipole)	Ant.-Factor
MHz	m	m	dB	dBi	dBd	dB/m
7200.00	3.39	0.04	55.95	2.12	-0.03	45.25
7250.00	3.39	0.04	56.49	1.88	-0.27	45.55
7300.00	3.39	0.04	56.94	1.69	-0.46	45.80
7350.00	3.39	0.04	57.30	1.53	-0.62	46.01
7400.00	3.39	0.04	57.61	1.41	-0.74	46.20
7450.00	3.39	0.04	57.89	1.30	-0.85	46.37
7500.00	3.39	0.04	58.00	1.27	-0.88	46.45
7550.00	3.39	0.04	58.01	1.30	-0.86	46.48
7600.00	3.39	0.04	58.06	1.30	-0.85	46.54
7650.00	3.39	0.04	58.05	1.33	-0.82	46.56
7700.00	3.39	0.04	57.95	1.41	-0.74	46.54
7750.00	3.39	0.04	57.95	1.44	-0.71	46.57
7800.00	3.39	0.04	57.83	1.53	-0.62	46.53
7850.00	3.39	0.04	57.71	1.61	-0.54	46.51
7900.00	3.39	0.04	57.49	1.75	-0.40	46.42
7950.00	3.39	0.04	57.17	1.94	-0.21	46.29
8000.00	3.39	0.04	56.91	2.09	-0.06	46.19

VSWR-Plot VULB 9162

